

ALL DIMENSIONS MM

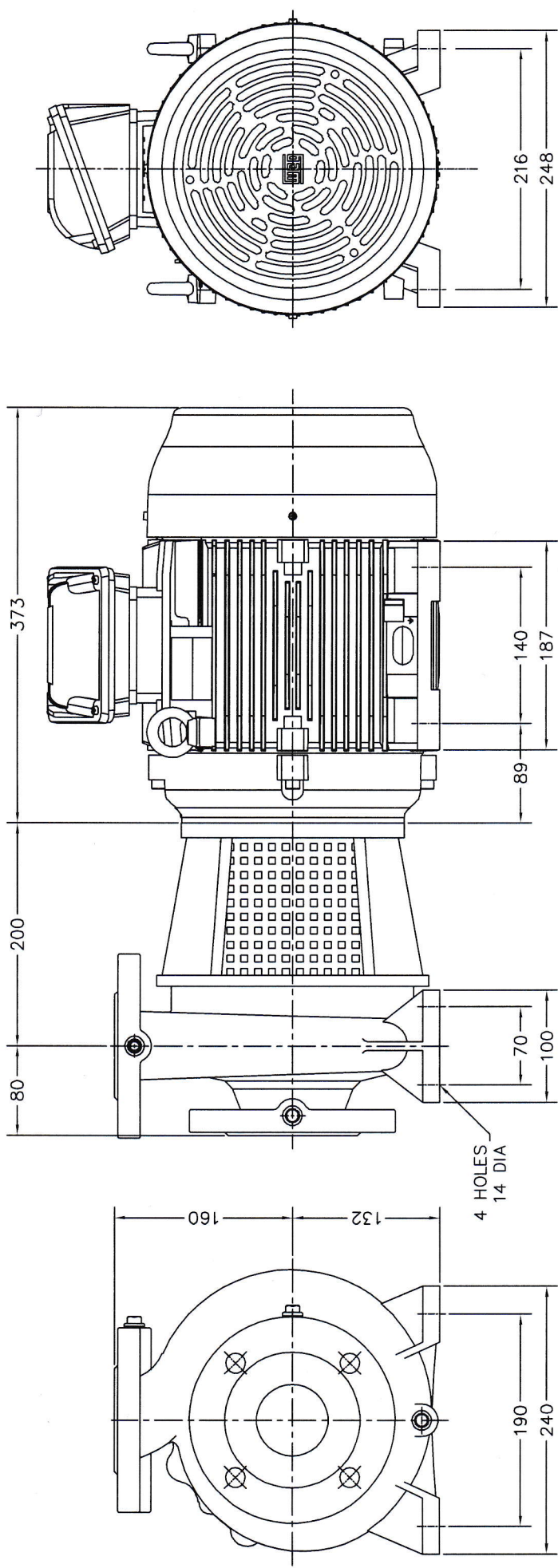
DO NOT SCALE

THIRD ANGLE PROJECTION

Drawing No.
ISFC65x50-160_7.5-2

SUCTION FLANGE 65 MM TO BS4504 PN16
DISCHARGE FLANGE 50 MM TO BS4504 PN16

ELECTRIC MOTOR BY WEG LTD
7.5 KW 2 POLE TEFC IP55 IE3
FRAMESIZE W22-132S



PUMPSET WEIGHT 137 KG

REVISONS	sign	date	TITLE	Drawn by:	NFS
R3			GENERAL ARRANGEMENT APEX ISFC 65x50-160 7.5/2	Checked by:	NFS
R2				Date Approved:	11-04-15
R1				Drawing No.	ISFC65x50-160_7.5-2