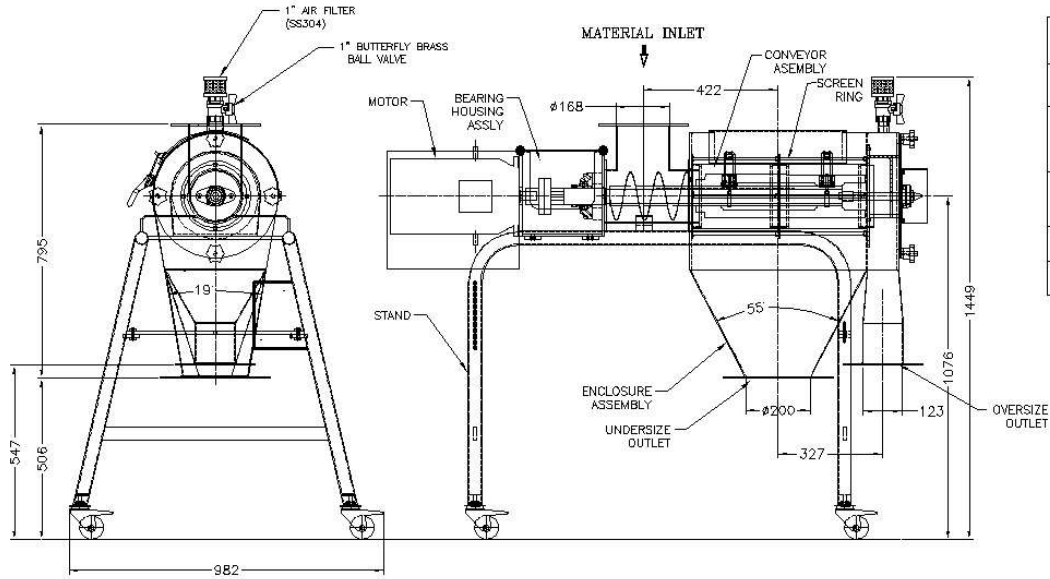
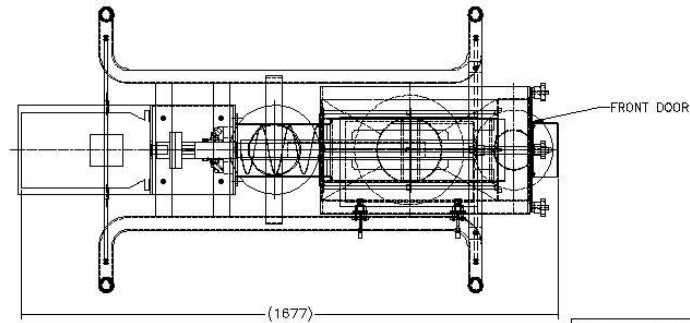


IF IN DOUBT, PLEASE ASK

DO NOT SCALE THE DRAWING



SR. NO.	DESCRIPTION	SPECIFICATION
01	RS 500	MATL OF CONT. PART- SS304 CONST. NON CONT. PART-SS304
02	MOTOR (IP55)	5HP., 600-1000 RPM, 50Hz, 3PHASE, 415V RPM CONTROL BY VFD
03	SCREENING OUTLET (SPOUT)	Ø200 FOR UNDERSIZE Ø123 FOR OVERSIZE
04	MESH SIZE	1000 MICRON OPENING
05	WEIGHT	225 KG



THIS IS PROPOSED GENERAL ARRANGEMENT
FINAL DIMENSIONS WILL BE AT DESIGNING STAGE

TITLE: GENERAL ARRANGEMENT FOR SIVTEK VIBRO SEPARATOR			
DRN: HARDIK	CHKD: NRT	DATE: 15/11/19	IWD NO: -
		DRG. NO.:-	SHEET 1 OF 1
		BSB00025419	MOD. 0

ALL DIMENSIONS ARE IN mm.

MOD.NO.	MODIFICATION	DATE	SIGN.

PATH :- \\GSSPL\DESIGN DATA\DRAWINGS